

Alternating-Current  
Hydraulic Pump p|26

High Pressure Applied  
To Air Brake p|30

Annual Index to Fluid  
Power Manufacturers p|44

# hydraulics & pneumatics

THE AUTHORITY ON FLUID POWER TECHNOLOGY AND ITS CONTROL

hydraulicspneumatics.com JANUARY 2017

# IFPE

## Education Preview

p|34

#BXNPZF# FIRM 90745 #975975012 9# HL 008 221 SEP17 C  
MARIFF VARGAS  
B SOMBORIO  
2131 MARELLA AVE  
CARSON CA 90745-1339  
0002  
S00001



Motion Control:  
Transmission  
Comparisons  
P / 20

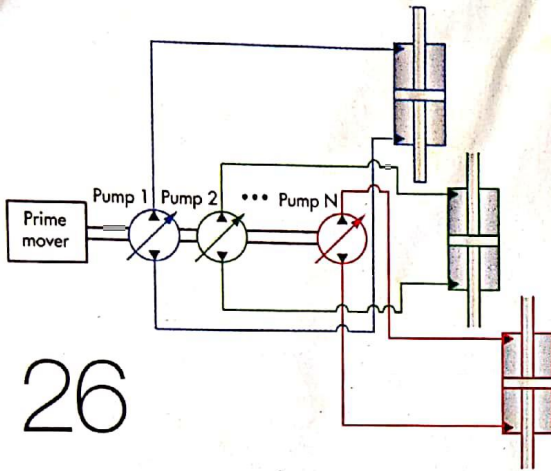
Powered by Penton®

Periodicals Postage Paid • USPS 100 Approved Poly

# In This Issue

## FEATURES

26



26

### AN ALTERNATIVE TO DISPLACEMENT CONTROLS

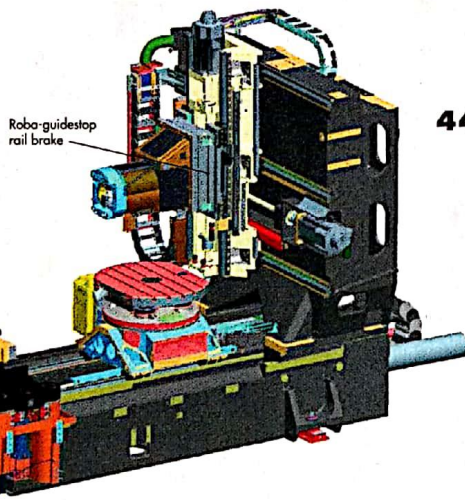
Variable-displacement pumps have emerged as an energy-efficient means of matching hydraulic power transmission to a varying load. The latest method under evaluation is to use alternating-current hydraulics.

30

### PNEUMATIC BRAKES RIVAL HYDRAULICS

An intensifier supplies a pneumatic brake with high pressure, boosting power density to that of its hydraulic counterparts.

30



34

### EDUCATIONAL OPPORTUNITIES ABOUND AT IFPE CONFERENCE

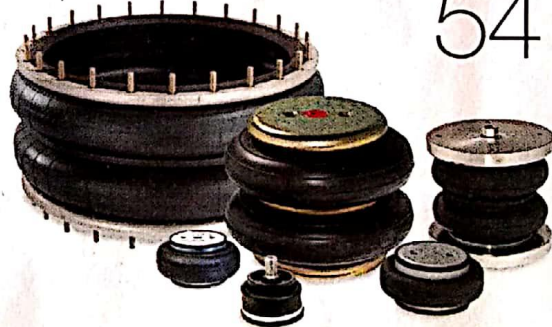
Applications and practices on different facets of fluid power will highlight an array of educational sessions at IFPE. Also on tap will be the NFPA World Fluid Power Summit.

44

### FLUID POWER MANUFACTURERS INDEX

This list is a compendium of hundreds of manufacturers and service providers in the fluid power industry.

54



34



## DEPARTMENTS

- |    |                             |    |                           |
|----|-----------------------------|----|---------------------------|
| 4  | ON HYDRAULICSPNEUMATICS.COM | 20 | MOTION CONTROL            |
| 6  | EDITOR'S PAGE               | 54 | USEFUL PRODUCTS           |
| 10 | INDUSTRY NEWS               | 55 | ADVERTISERS INDEX         |
| 14 | IDEAS & APPLICATIONS        | 56 | TROUBLESHOOTING CHALLENGE |

JOIN US ONLINE



twitter.com/HPPenton

facebook.com/HydraulicsPneumatics



THE FPDA  
FLUID POWER DESIGN ASSOCIATION



ISSN 0018-814X

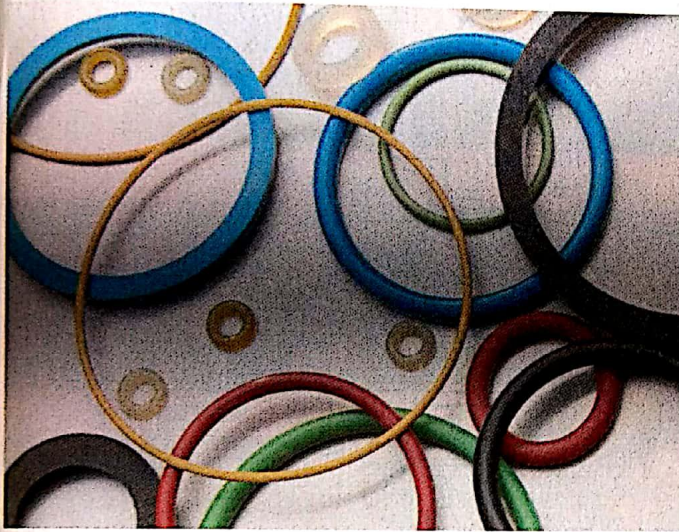
Printed in U.S.A. Copyright © 2017 by Penton Media, Inc., all rights reserved. *Hydraulics & Pneumatics* is published monthly by Penton Media, Inc., 9900 Metcalf Ave., Overland Park, KS 66212-2216. Phone: 216-696-7000. Periodicals postage paid at Kansas City, MO and at additional mailing offices. **POSTMASTER** Send address changes to *Hydraulics & Pneumatics*, 1100 Avenue of the Americas, NY, NY, 10036. Copying: permission is granted to users registered with the Copyright Clearance Center Inc. (CCC) to photocopy any article provided base fee of \$1.25 per copy of the article plus 60¢ per page is paid directly to CCC, 222 Rosewood Dr., Danvers, MA 01932 (Code No. 0018-814X/00 \$1.25 + 60¢).

Subscriptions — U.S. and possessions outside U.S.: \$70/yr; \$100 two yrs. Single copy: any day \$15.00; all other issues \$8.00. In Canada: \$85 (3/yr); \$135 (6/yr) vs. Canada Post Publications Mail Agreement No. 406126088. Canada return address: M&P Global Solutions, P.O. box 25542, London, ON, N6C 6B2. International: \$100 (3/yr); \$165 (6/yr) vs. To order, phone: 847-763-9670. Fax orders to 847-763-9673. Send subscription payment to *Hydraulics & Pneumatics*, P.O. Box 2100, Skokie, IL 60076-7800. Out-of-print copies available in complete volumes as positive microfilm from NAPCO 800-420-6272 x 6578. Photocopies of articles: \$5.00 each. Payment must accompany request. Volume 70, No. 1, January 2017.

**Choose from Thousands of Piston- and Rod-Seal Configurations**

ANYSEALS OFFERS 30,000 different products and maintains a stock of more than 200,000 seals. Configurations include piston and rod seals for hydraulic and pneumatic cylinders; wipers, backup rings; piston cups; buffer seals; radial (slipper) seals; O-, D-, and X-rings; square-cut O-rings; and guide rings.

ANYSEALS USA, (866) 676-9934, anyseals.com



**LED Display is a High "Light" of Pressure Switches**

THE IMI Norgren 51D pressure switch features an LED display that makes it easy to install and read. The switch can be mounted directly to the compressed air line with a clip on the DIN rail or in a cabinet using the panel-mounting kit. The 51D suits all standard pneumatic applications (including filtered, lubricated, or non-lubricated compressed air), and operates with high accuracy, resolution, and repeatability. The LED display indicates current pressure, and comes with two programmable outputs (NO/NC) and four response time settings. It can also be set to hysteresis mode or window-comparator mode.

IMI PRECISION ENGINEERING, www.imi-precision.com

**Advertisers Index**

ACE CONTROLS .....	13	KURIYAMA OF AMERICA INC .....	27
ADSENS TECHNOLOGY .....	27	KURT HYDRAULICS .....	9
AUTOMATION DIRECT .....	5	MAIN MFG PRODUCTS .....	40
BARBIERI RUBBER SRL .....	43	NIMCO CONTROLS INC .....	IBC
BRAND HYDRAULICS .....	17	O'KEEFE CONTROLS INC .....	38
BRENNAN INDUSTRIES .....	25	ORANGE RESEARCH INC .....	8
CFC TRAINING INSTITUTE .....	51	PHD INC .....	11
C.MATIC SRL .....	49	ROTA ENGINEERING .....	39
CAMOZZI PNEUMATICS .....	51	RYCO HYDRAULICS .....	24
CLIPPARD INSTRUMENT LAB INC .....	31	SC HYDRAULICS ENGINEERING CORP .....	48
DEMAC .....	47	SFC KOENIG .....	33
DIESSE RUBBER HOSES SPA .....	29	SIKO PRODUCTS INC .....	41
EATON FILTRATION .....	46	THE LEE COMPANY .....	15
FLOW EZY FILTERS INC .....	19	TOMPKINS INDUSTRIES INC .....	IFC, 33
GREEN HYDRAULIC POWER INC .....	43	ULTRA CLEAN TECHNOLOGY .....	22
HENGLI AMERICA .....	21	VELJAN HYDRAIR LTD .....	1
HYDRAULICS INC .....	48	VEST INC .....	3
INTERNATIONAL FLUID POWER EXPOSITION .....	37	WINTERS INSTRUMENTS .....	18
J.W. WINCO INC .....	46	YATES INDUSTRIES INC .....	7
KAWASAKI PRECISION MACHINERY OF AMERICA .....	23		
KEPNER PRODUCTS CO .....	49		

Although every effort has been made to ensure the accuracy of this index, the publisher cannot be held responsible for any errors or omissions.